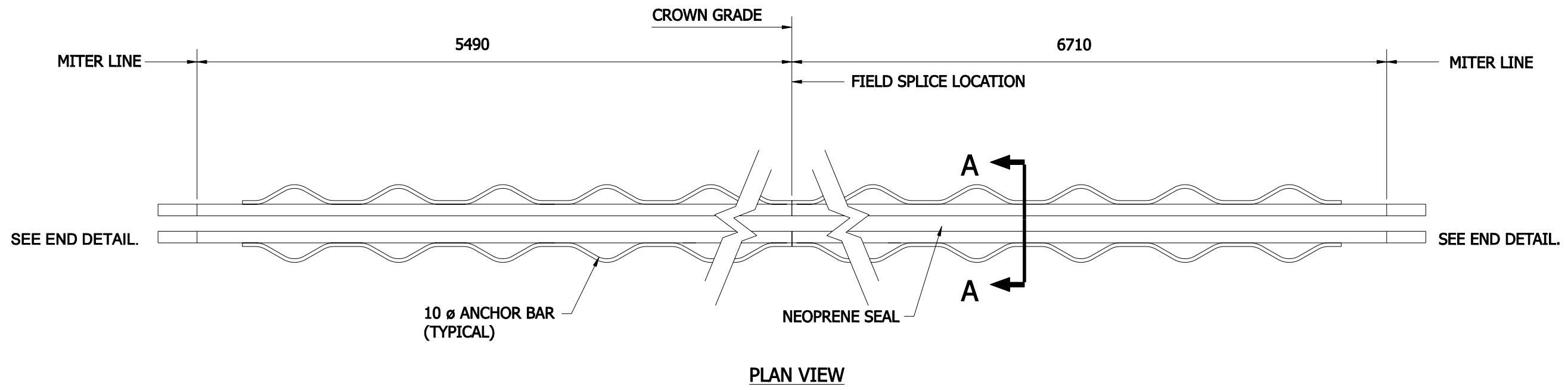


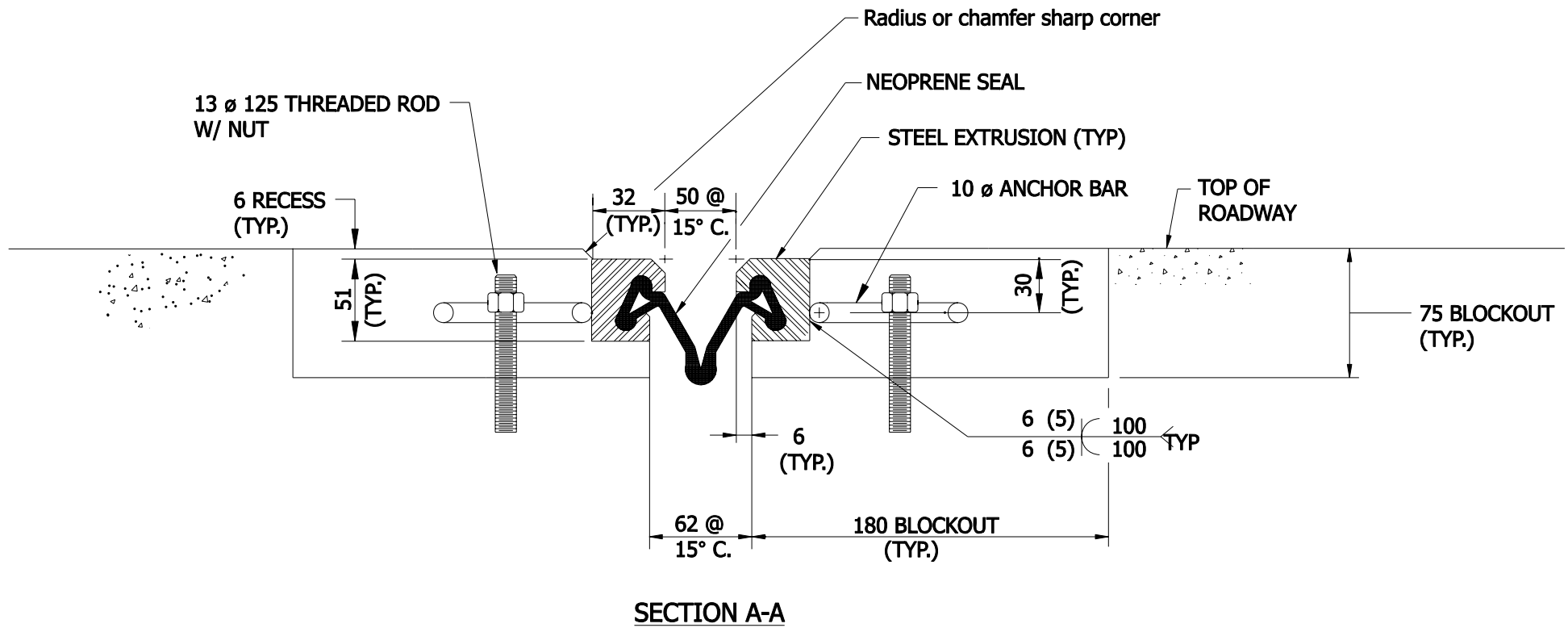
724-B-147D 1



PLAN VIEW

NOTES

1. NO WELD SHALL BE PERMITTED WHERE STEEL EXTRUSION COMES IN CONTACT WITH THE NEOPRENE SEAL.
2. THREADED RODS AND NUTS SHALL BE PLACED IN ACCORDANCE WITH THE JOINT MANUFACTURER'S RECOMMENDATIONS.

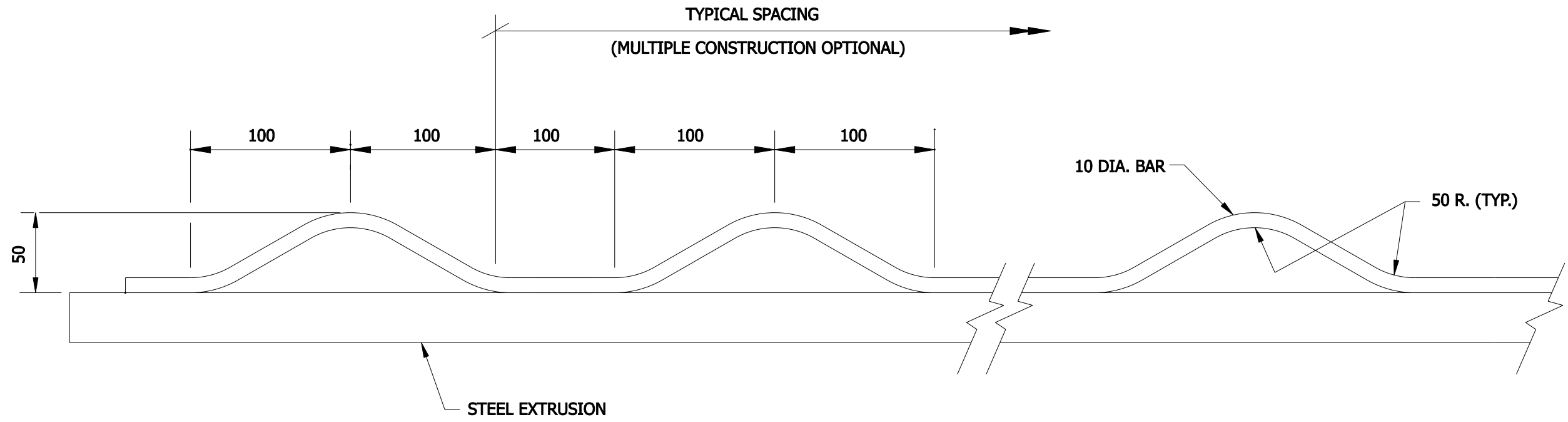


SECTION A-A

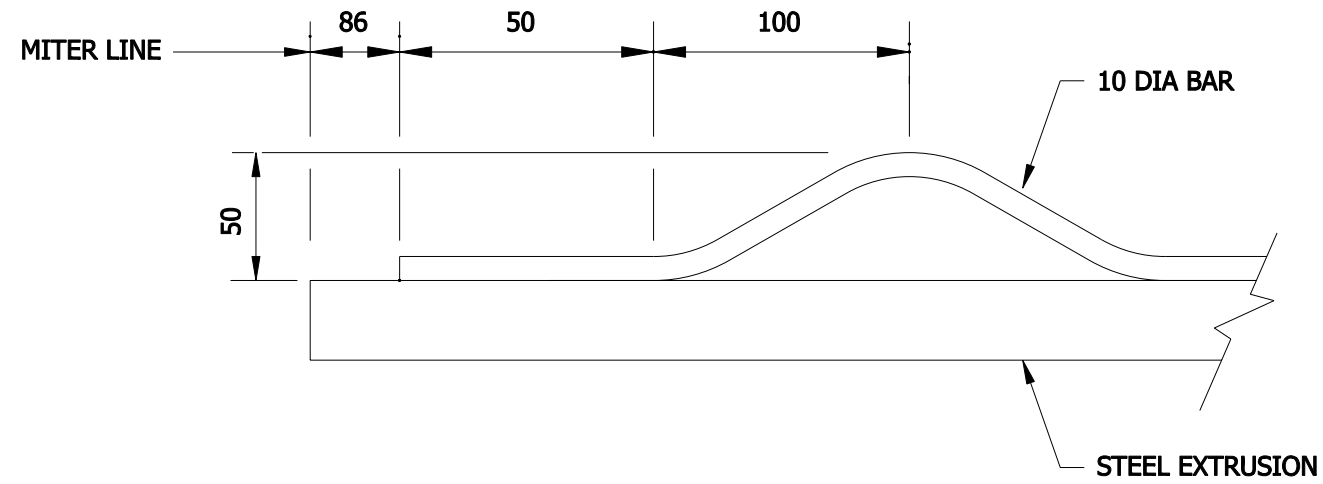
All Dimensions are in mm unless otherwise specified.

| |
|--------------------------------------|
| INDIANA DEPARTMENT OF TRANSPORTATION |
| ALTERNATE SS JOINT |

1-22-01



ANCHOR BAR DETAIL



END DETAIL

All Dimensions are in mm unless otherwise specified.

INDIANA DEPARTMENT OF TRANSPORTATION

ALTERNATE SS JOINT